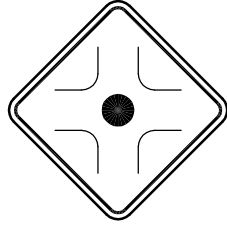
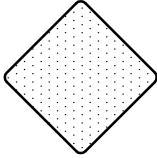
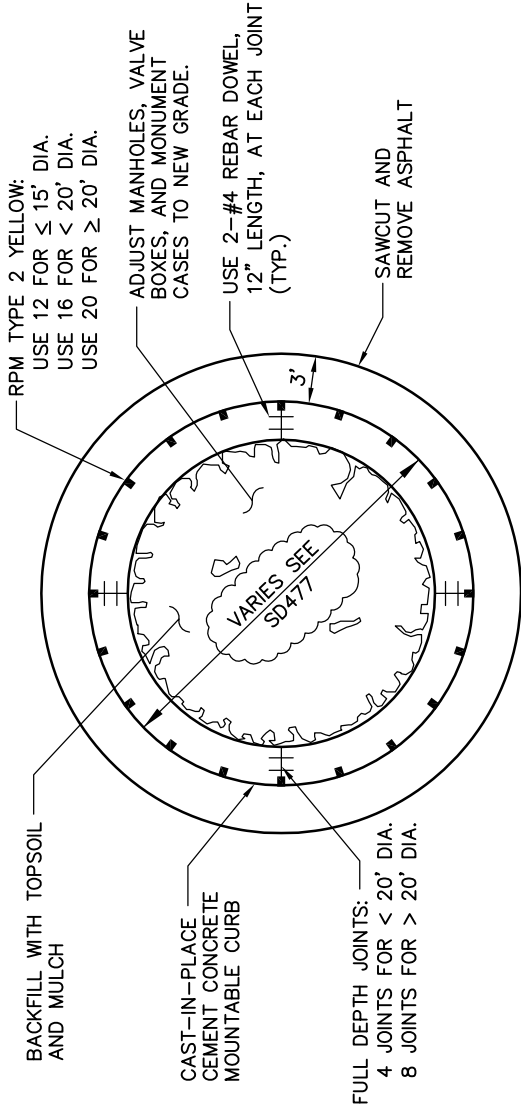


18" X 18" (OMI-3) YELLOW HIGH INTENSITY TYPE 1 OBJECT MARKER PLACED IN TRAFFIC CIRCLE FOR EACH APPROACH. ALL SIGNS TO BE MOUNTED ON SINGLE POST. LOCATION TO BE DETERMINED BY ENGINEER. SIGN HEIGHT: 5' FROM BOTTOM OF LOWER SIGN TO STREET SURFACE. SIGN MATERIAL: 3D DIAMOND GRADE DG<sup>3</sup>

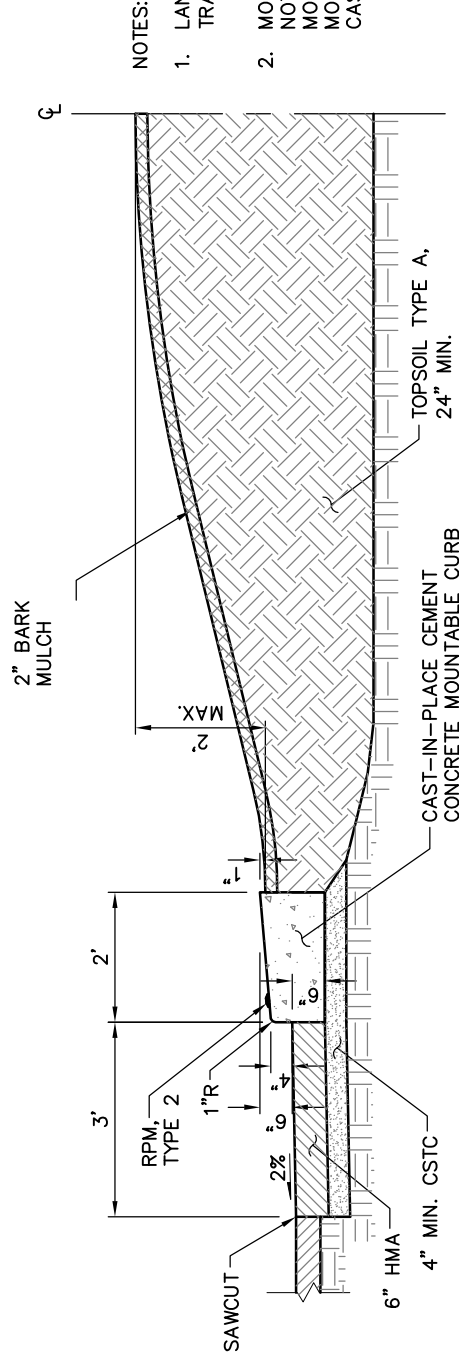


30" X 30" BLACK ON YELLOW PLACED 75' TO 100' BACK FROM TRAFFIC CIRCLE ON EACH APPROACH. SEE SD426D FOR POST TYPE AND INSTALLATION. SIGN MATERIAL: 3D DIAMOND GRADE DG<sup>3</sup>



**TYPICAL TRAFFIC CIRCLE**  
NTS

**SIGNING**  
NTS



**TYPICAL SECTION**  
NTS

CITY OF REDMOND, WASHINGTON

APPROVED BY: RON GRANT  
CITY ENGINEER

REVISION DATE: MARCH 01, 2011



STANDARD DETAILS

**TRAFFIC CIRCLES DETAILS**

FILE NAME: SD478.DWG

DETAIL NUMBER: **478**