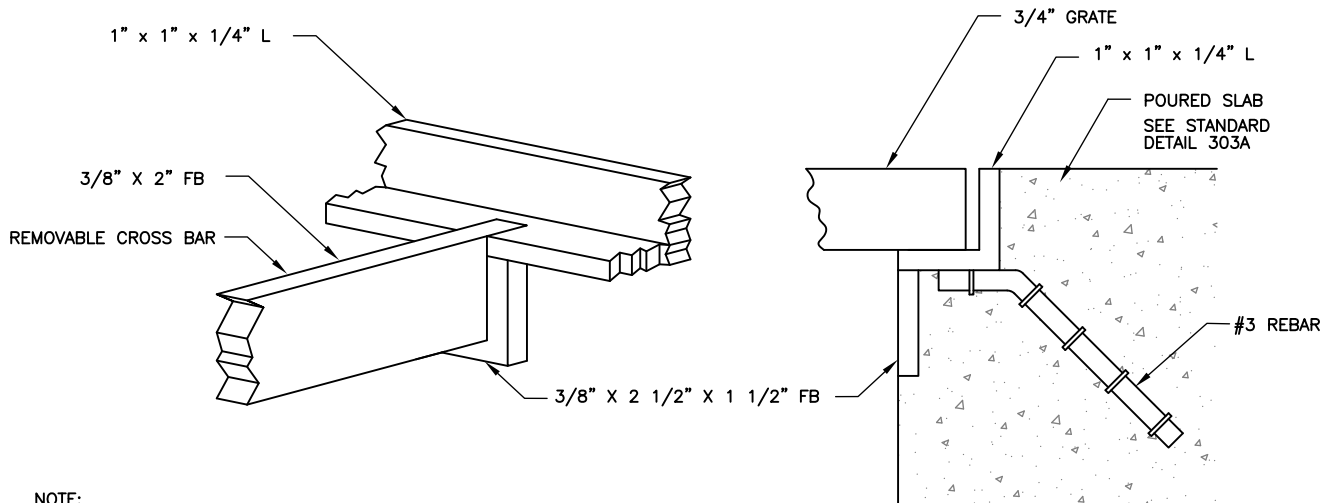


CAST IRON TREE GRATE/FRAME
NTS

- NOTES:
1. CAST IN 4 PC.
 2. GRATES ARE 3/4" THICK
 3. BREAKOUTS
 4. STANDARD OPENING
 5. SOURCE – URBAN ACCESSORIES OF SEATTLE, WASHINGTON, ARCHITRECREATION, INC
☎ 425.568.3033 OR EQUAL
 6. CHINOOK 4' x 6' RCT
 7. MEETS ADA STANDARDS



NOTE:
FRAME – 4' x 6' STD FLAT FRAME
PER URBAN ACCESSORIES OR EQUAL

CITY OF REDMOND, WASHINGTON			STANDARD DETAILS	
APPROVED BY: RON GRANT CITY ENGINEER			CAST IRON TREE GRATE	
REVISION DATE: MARCH 01, 2011			FILE NAME: SD907.DWG	DETAIL NUMBER: 907