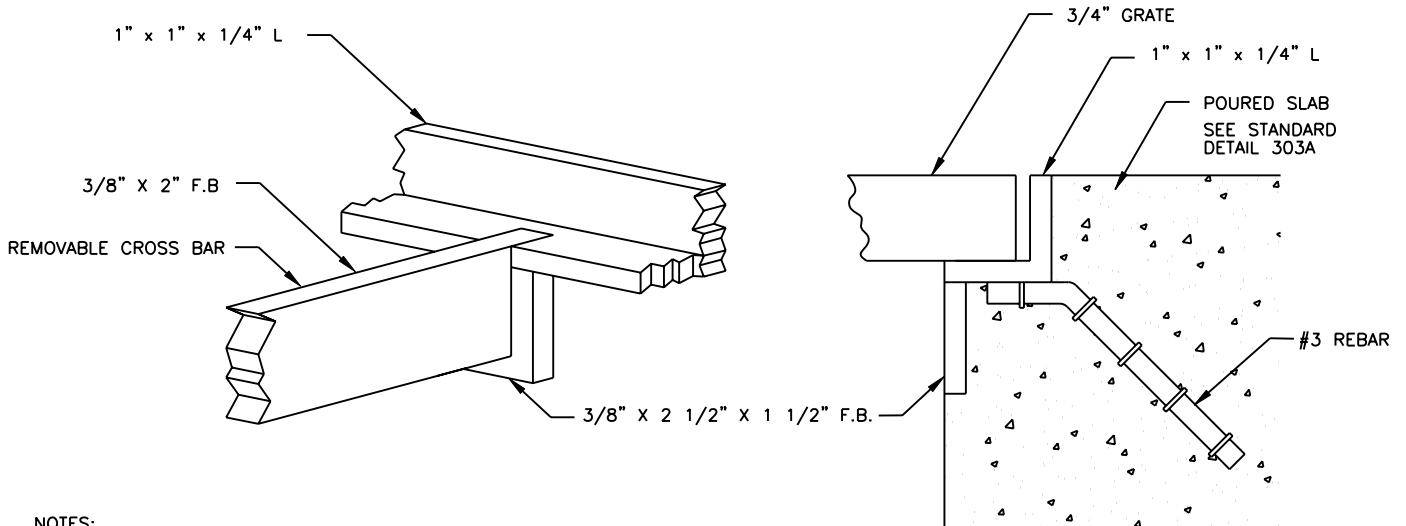


CAST IRON TREE GRATE/FRAME

NO SCALE

NOTES:

1. CAST IN 4 PC.
2. GRATES ARE 3/4" THICK
3. BREAKOUTS
4. STANDARD OPENING
5. SOURCE - URBAN ACCESSORIES OF WOODINVILLE WASHINGTON, ARCHITRECREATION, INC
© 206 932-4730 OR EQUAL
6. CHINOOK 4' x 6' RCT
7. MEETS A.D.A. STANDARDS



NOTES:

1. FRAME - 4' x 6' STD FLAT FRAME PER URBAN ACCESSORIES OR EQUAL

APPROVED: RICHARD BARTHOL
REV. DATE: APRIL 1, 2002



STANDARD DETAILS

CAST IRON TREE GRATE

ENGINEERING DIVISION

FILE	SD907.DWG	DRAWING NO.	907
------	-----------	-------------	------------