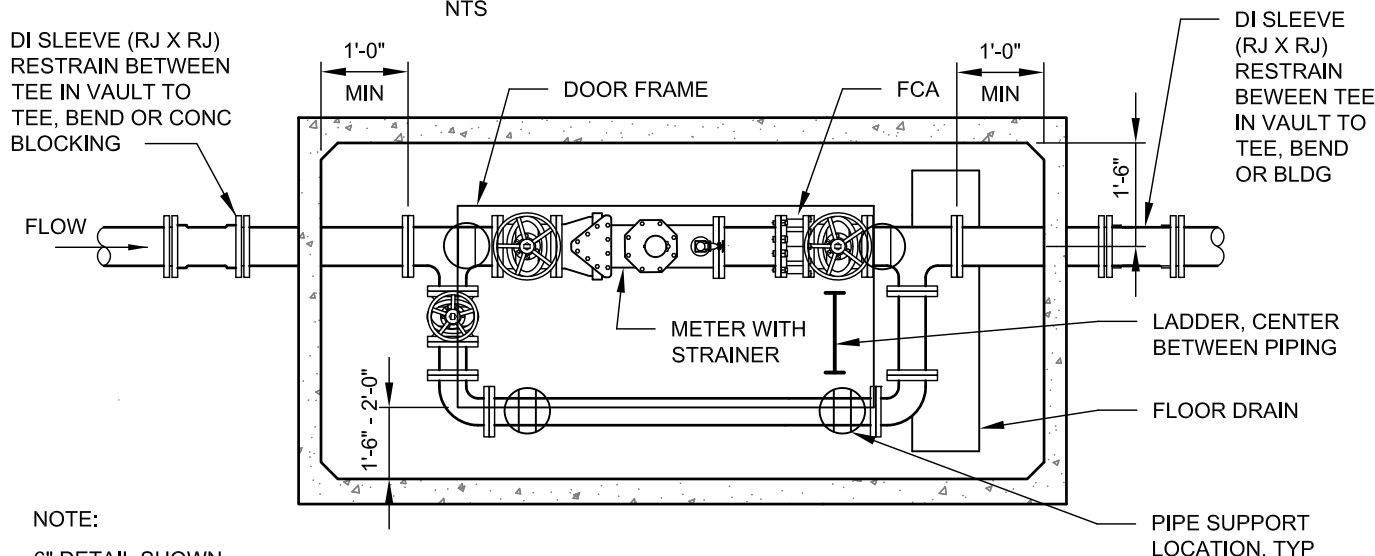


PLAN VIEW WITH COVER SLAB

NTS



NOTE:
6" DETAIL SHOWN

PLAN VIEW OF EQUIPMENT

NTS

VAULT, FITTINGS AND PIPING SIZING REQUIREMENTS						UTILITY VAULT NO. *
METER SIZE	BYPASS VALVES AND PIPING	BYPASS TEE (FL X FL)	MIN INSIDE VAULT DIM			
			LEN	WIDTH	HT	
3"	3"	3" X 3"	10 FT	6 FT	6 FT	810 - LA
4"	4"	4" X 4"	10 FT	6 FT	6 FT	810 - LA
6"	4"	6" X 4"	12 FT	6 FT	6 FT	810 - LA

* OR APPROVED EQUAL

NOTES:

1. VAULT ACCESS HATCH SHALL BE DRILLED FOR INSTALLATION OF RADIO MXU.
2. METER SHALL BE OBTAINED BY THE CONTRACTOR FROM THE SUPPLIER AND DELIVERED TO CITY MAINTENANCE OPERATIONS CENTER FOR STORAGE UNTIL INSTALLATION. WHEN METER APPLICATION IS APPROVED FOR INSTALLATION, INCLUDING PAYMENT OF CONNECTION FEES, THE CONTRACTOR SHALL RETRIEVE AND INSTALL METER.
3. A GRAVITY VAULT DRAIN (DI) SHALL BE CONNECTED TO STORM SEWER AS SHOWN ON THE DRAWINGS.
4. PAINT ALL EXPOSED PIPING AND FITTINGS INSIDE VAULT, EXCEPT METER BODY.
5. CENTER PIPING UNDER HATCH OPENING.

CITY OF REDMOND, WASHINGTON

APPROVED BY: RON GRANT
CITY ENGINEER

REVISION DATE: MARCH 01, 2010



CityofRedmond
WASHINGTON

STANDARD DETAILS

**WATER METER PLAN VIEW
3", 4", 6" METER DETAILS**

FILE NAME: SD705.DWG

DETAIL NUMBER: **705**