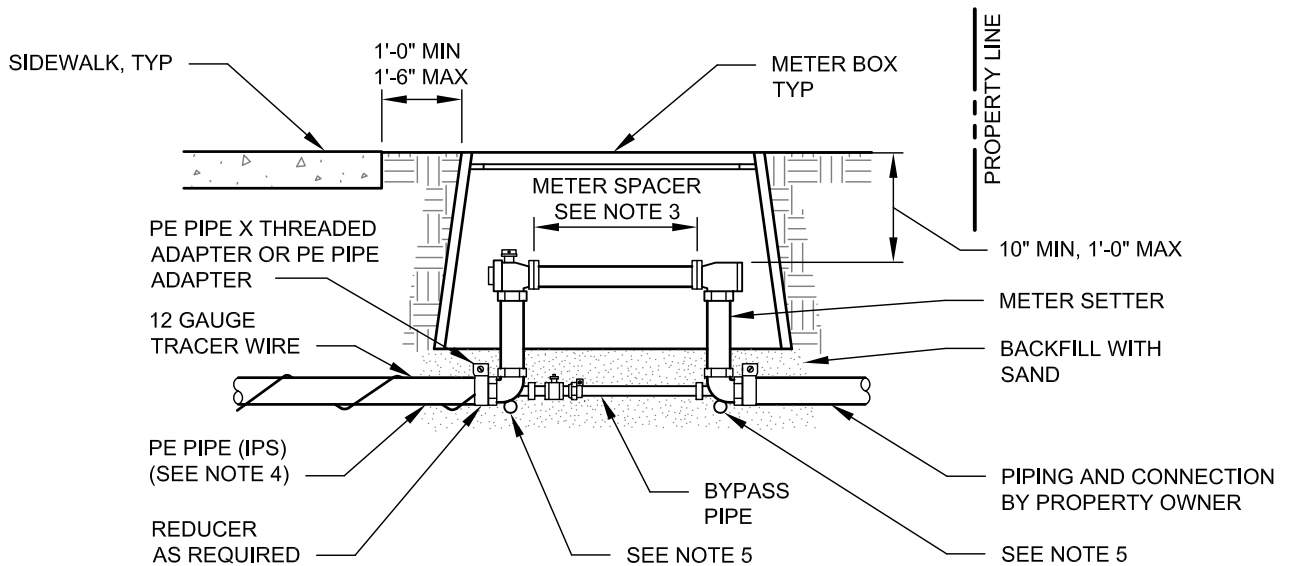


5/8" X 3/4" AND 1" WATER METER

NTS



1-1/2" AND 2" WATER METER

NTS

NOTES:

1. SEE STANDARD DETAIL 701A, 701B, 703, AND 716 FOR ADDITIONAL DETAILS.
2. SET METER BOX FLUSH WITH SIDEWALK OR CURB ELEVATION IF LOCATED IN LAWN AREA. SET METER BOX APPROXIMATELY 2 INCHES ABOVE FINISHED GRADE IF LOCATED IN LANDSCAPING AREA.
3. SPACER FOR A 1- 1/2 INCH METER IS 13- 1/4 INCHES IN LENGTH. SPACER FOR A 2 INCH METER IS 17- 1/4 INCHES IN LENGTH. SPACER PROVIDED BY CONTRACTOR.
4. SEE THESE DETAILS AND CONSTRCUCTION DRAWINGS FOR SERVICE CONNECTION PIPE SIZE.
5. METER SETTER MAY BE HORIZONTAL OR VERTICAL INLET AND OUTLET.
6. ALL FITTINGS SHALL BE BRASS.
7. TOUCHREAD PAD HOLE TO BE DRILLED BY CITY.

CITY OF REDMOND, WASHINGTON			STANDARD DETAILS	
APPROVED BY: RON GRANT CITY ENGINEER			3/4" TO 2" METER SETTER DETAILS	
REVISION DATE: MARCH 01, 2010			FILE NAME: SD702.DWG	DETAIL NUMBER: 702