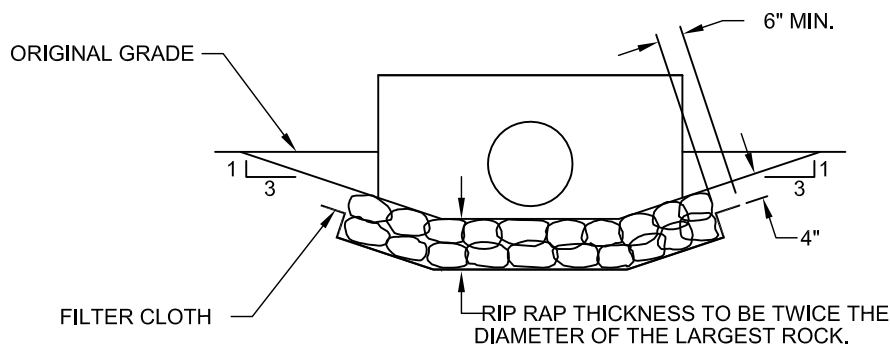


RIP RAP TO BE EMBEDDED IN PROPOSED TRANSITION SECTION.



SECTION A

NTS 620

CITY OF REDMOND, WASHINGTON

APPROVED BY: RON GRANT
CITY ENGINEER

REVISION DATE: MARCH 01, 2010



STANDARD DETAILS

HEAD WALL AND RIP RAP

FILE NAME: SD620.DWG

DETAIL NUMBER: **620**