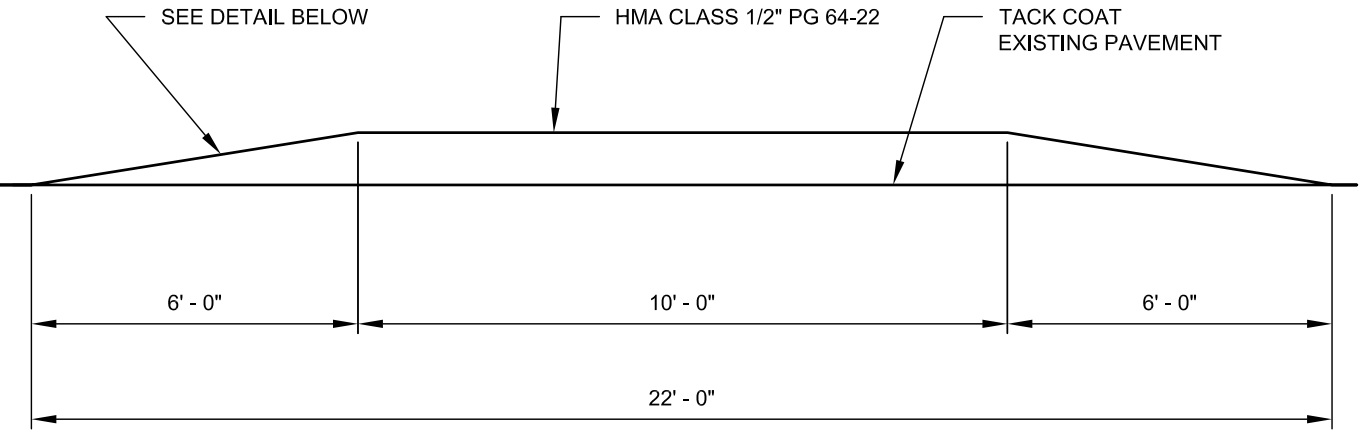
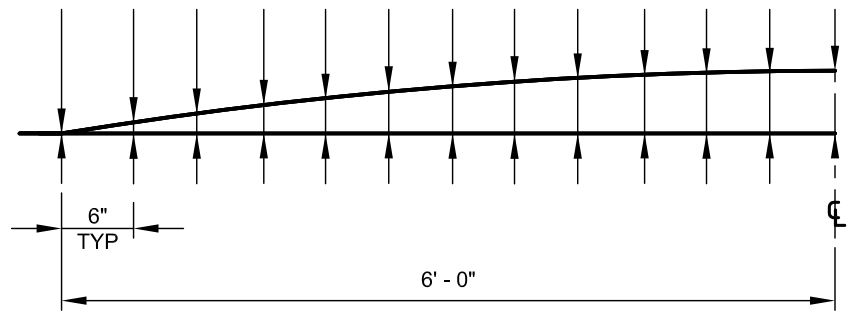


SPEED CUSHION SECTION A
NTS



SPEED CUSHION SECTION B
NTS

0	0.64	1.22	1.75	2.22	2.64	3.00	3.31	3.56	3.75	3.89	3.97	4.00"	← 4" SPEED CUSHION
0	0.56	1.07	1.53	1.94	2.31	2.63	2.89	3.11	3.28	3.40	3.48	3.50"	← 3.5" SPEED CUSHION
0	0.48	0.92	1.31	1.67	1.98	2.25	2.48	2.67	2.81	2.92	2.96	3.00"	← 3" SPEED CUSHION



SPEED CUSHION EDGE (TYP)
COMPACTED DEPTHS
NTS

CITY OF REDMOND, WASHINGTON			STANDARD DETAILS	
APPROVED BY: RON GRANT CITY ENGINEER			SPEED CUSHION (2 OF 2)	
REVISION DATE: MARCH 01, 2010			FILE NAME: SD483.DWG	DETAIL NUMBER: 483