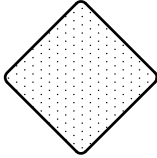
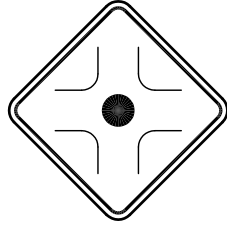


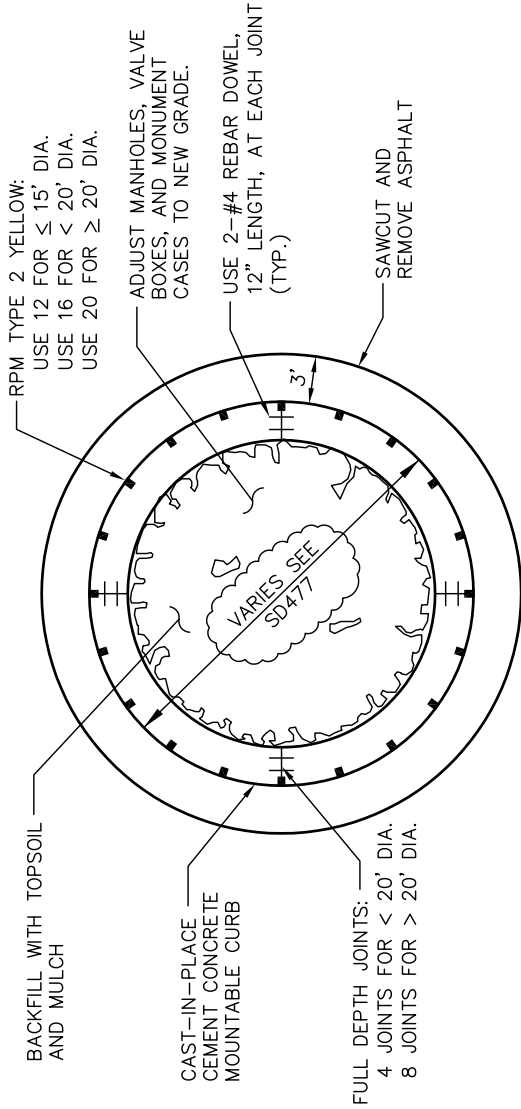
18" X 18" (OMI-3) YELLOW HIGH INTENSITY TYPE 1 OBJECT MARKER PLACED IN TRAFFIC CIRCLE FOR EACH APPROACH. ALL SIGNS TO BE MOUNTED ON SINGLE POST. LOCATION TO BE DETERMINED BY ENGINEER. SIGN HEIGHT: 5' FROM BOTTOM OF LOWER SIGN TO STREET SURFACE.



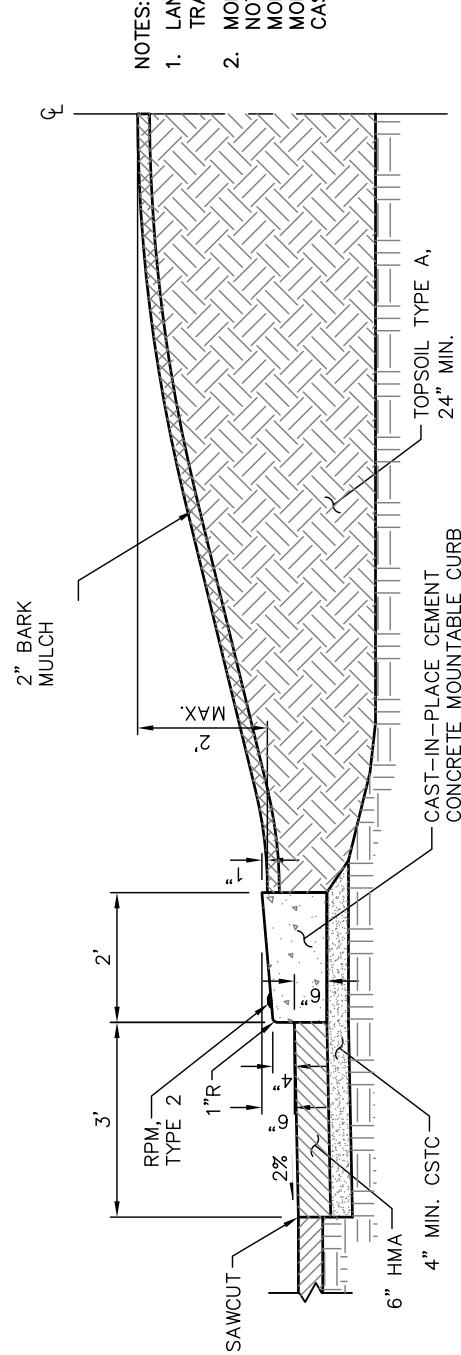
30" X 30" BLACK ON YELLOW PLACED 75' TO 100' BACK FROM TRAFFIC CIRCLE ON EACH APPROACH. SEE SD426D FOR POST TYPE AND INSTALLATION.



SIGNING
NTS



TYPICAL TRAFFIC CIRCLE
NTS



TYPICAL SECTION
NTS

- NOTES:
1. LANDSCAPING TO BE DETERMINED BY TRANSPORTATION/PARKS STAFF.
 2. MONUMENT PROTECTION/PRESERVATION: NOTIFY CITY ENGINEER PRIOR TO MONUMENT ADJUSTMENT. RAISE MONUMENT TO GRADE IN APPROPRIATE CASING.

CITY OF REDMOND, WASHINGTON

APPROVED BY: RON GRANT
CITY ENGINEER

REVISION DATE: MARCH 01, 2010



STANDARD DETAILS

TRAFFIC CIRCLES DETAILS

FILE NAME: SD478.DWG

DETAIL NUMBER: **478**