

CONTRACT ADDENDUM NO. 3

CITY OF REDMOND

OVERLAKE VILLAGE SOUTH DETENTION VAULT

Project No. 20020806


Date of Issue: February 11, 2014
Date of Opening: February 13, 2014

Notice To All Planholders:

This Addendum No. 3, containing the following revisions is hereby made a part of the Plans and Contract Provisions (Contract Documents) for the above named project. It shall be attached to the Contract Provisions and shall be taken into consideration by the Bidders in submitting their bids.

Bidders shall acknowledge receipt of the Addendum No. 3 in the space provided on the Bid Proposal Signature Page. Failure to do so may subject the Bidder to disqualification of its bid.

ALL OTHER REQUIREMENTS OF THE CONTRACT DOCUMENTS REMAIN IN EFFECT.



David M. Paul, P.E.
City Engineer
City of Redmond Public Works

Date: 2-11-14

CONTRACT ADDENDUM NO. 3

Addendum No. 3 Summary:

BID PROPOSAL

New Bid Summary sheet to be inserted after the Bid Schedule issued in Addendum No. 2.

CONTRACT PROVISIONS

Revision to Contract Provision Section 03431 Subsection 1.2.A.1.

Revision to Contract Provision Section 03431 Subsection 2.5.G.1.

PLAN REVISIONS

Revised Sheet 3.02.28.

CONTRACT ADDENDUM NO. 3

Bid summary sheet to be appended to the end of the Bid Schedule submitted under Addendum No. 2.

Subtotal Schedule A \$ _____

Sales Tax @ 9.5% Tax \$ _____

TOTAL BID PRICE \$ _____

CONTRACT ADDENDUM NO. 3

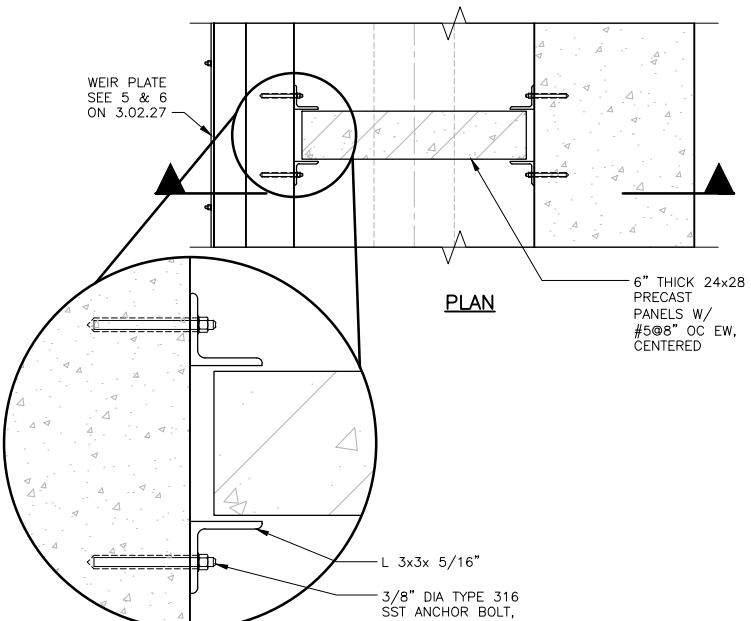
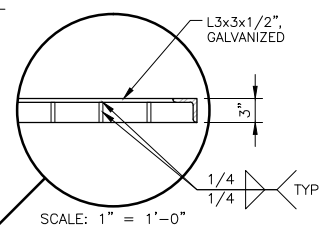
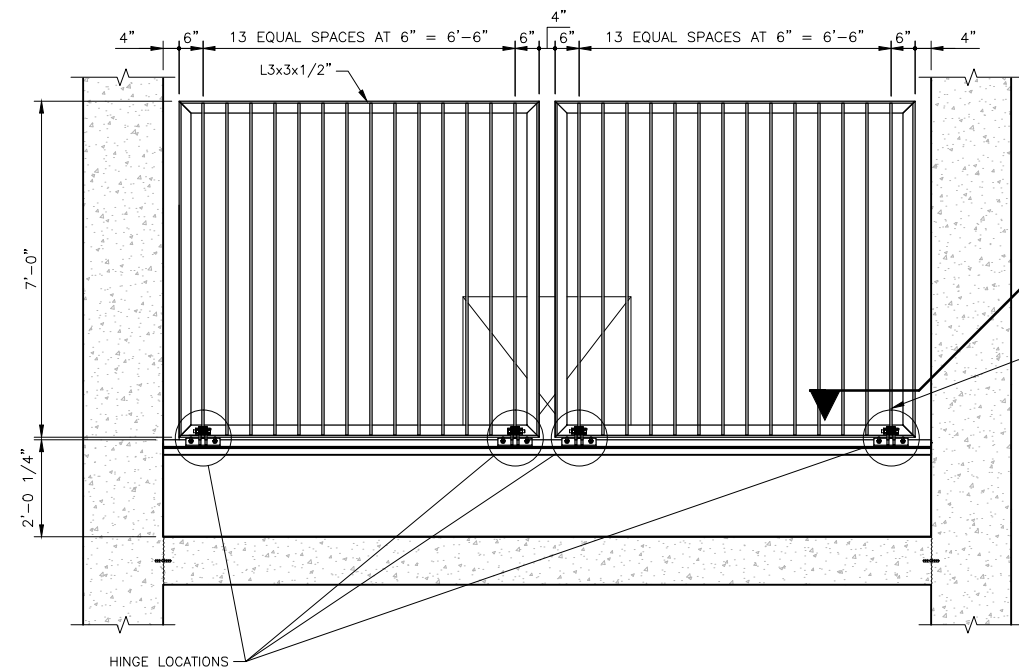
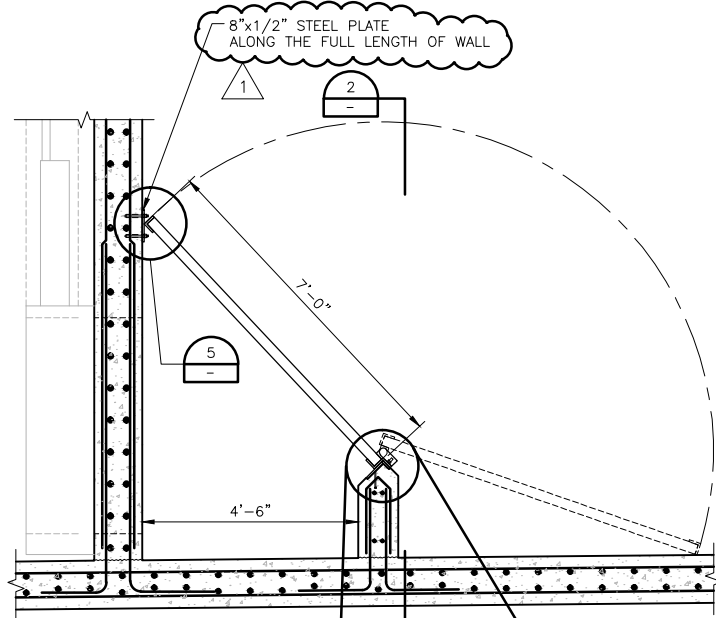
SPECIAL PROVISIONS

Contract Provision Section 03431 Subsection 1.2.A.1 referenced standard American Association of State Highway and Transportation Officials (AASHTO) is waived throughout this specification.

Contract Provision Section 03431 Subsection 2.5.G.1 is revised to state:
Provide roughness of top surface to provide bond with topping and ~~design of horizontal shear at topping and unit interface in accordance with requirements of ACI 318 Horizontal Shear Strength paragraph and design of hollow-core slabs as if there is no composite topping slab system~~

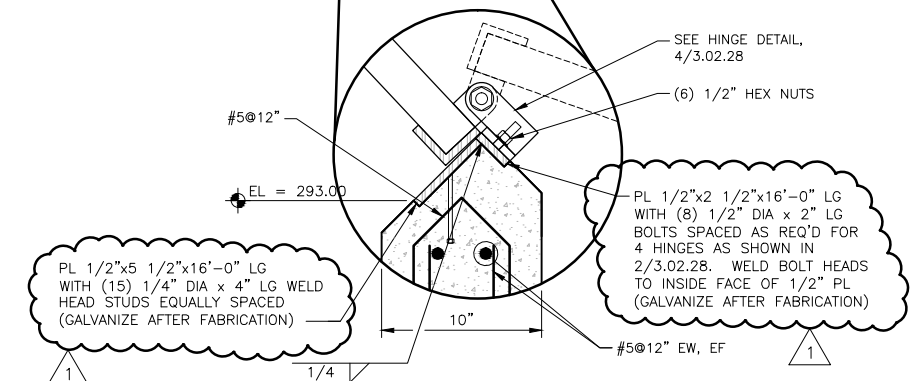
Drawing No.	Description	Comments
-------------	-------------	----------

3.02.28	Structural Details 2 of 2	Revised Notes in Detail 1 on Sheet 3.02.28
---------	------------------------------	--



NOTES:
TRASH RACK SHOWN ROTATED INTO VERTICAL POSITION IN THIS VIEW. (GALVANIZE AFTER FABRICATION)

DETAIL
SCALE: 3" = 1'-0"



TRASH RACK DETAIL
SCALE: 1/2" = 1'-0"

TRASH RACK DETAIL
SCALE: 1/2" = 1'-0"

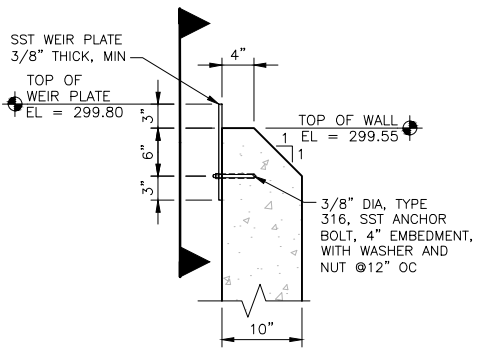
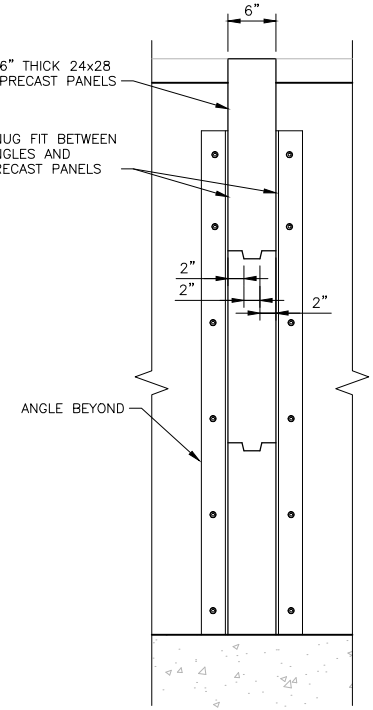
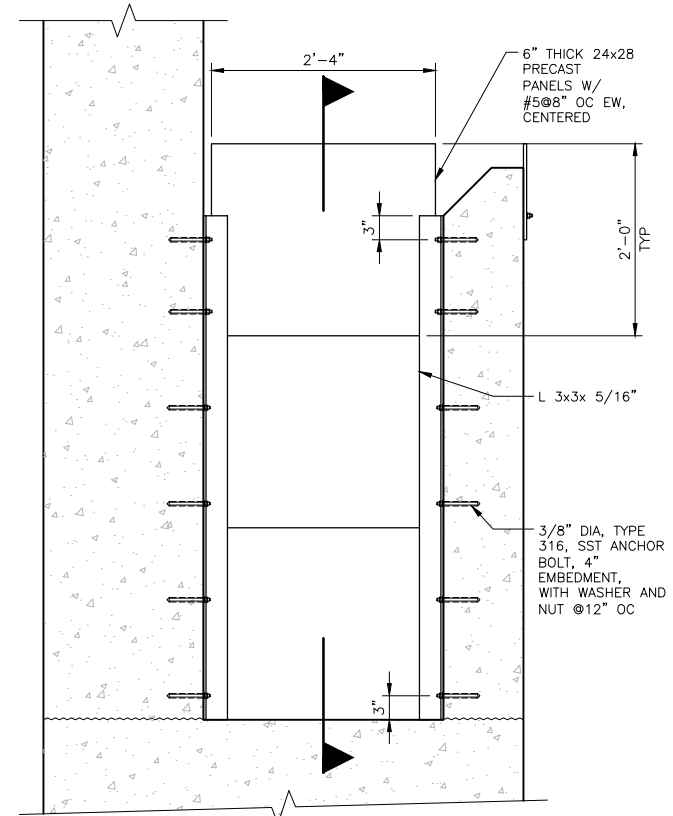


PLATE CONNECTION SECTION

WEIR DETAIL
SCALE: 1" = 1'-0"

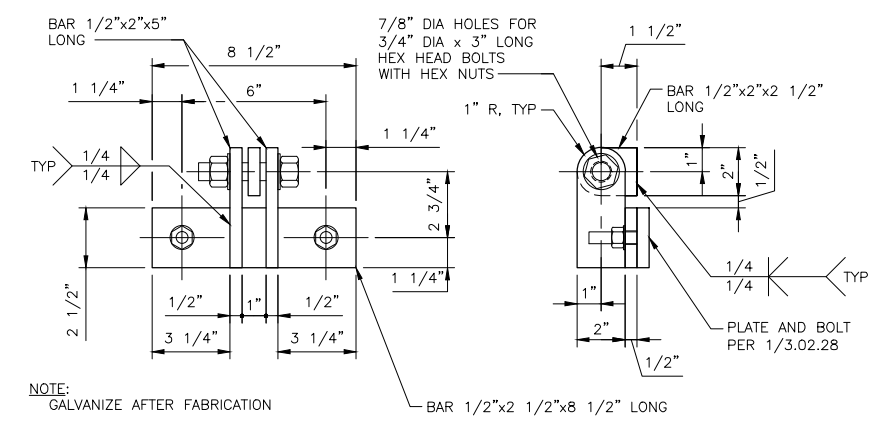


SECTION

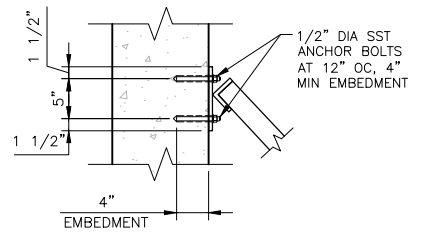


ELEVATION

DETAIL
SCALE: 1" = 1'-0"



HINGE DETAIL
SCALE: 3" = 1'-0"



DETAIL
SCALE: 1" = 1'-0"

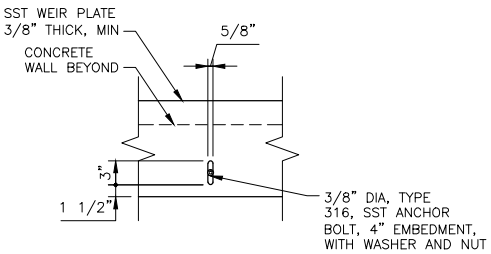


PLATE CONNECTION SECTION

WEIR DETAIL
SCALE: 1" = 1'-0"

CALL BEFORE YOU DIG 1-800-424-5555



CITY OF REDMOND
PUBLIC WORKS DEPARTMENT
15670 NE 85TH STREET - REDMOND, WA 98073-9710
Overlake Village
South Detention Vault
Project No. 20020806



DESIGN ENGR.		DRAWN		CHECKED	
M. HIJAZI		J. BECKETT		O. TAVANGAR	
NO.	REVISION	COMMENTS	BY	REVIEW	DATE
1	MODIFY DETAIL 1 (ADDENDUM #3)		JTB	JCP	02/11/14



Structural Details
2 of 2

PROJECT NO.
31470A
SHEET: 52 OF: 65
DRAWING NO.
3.02.28