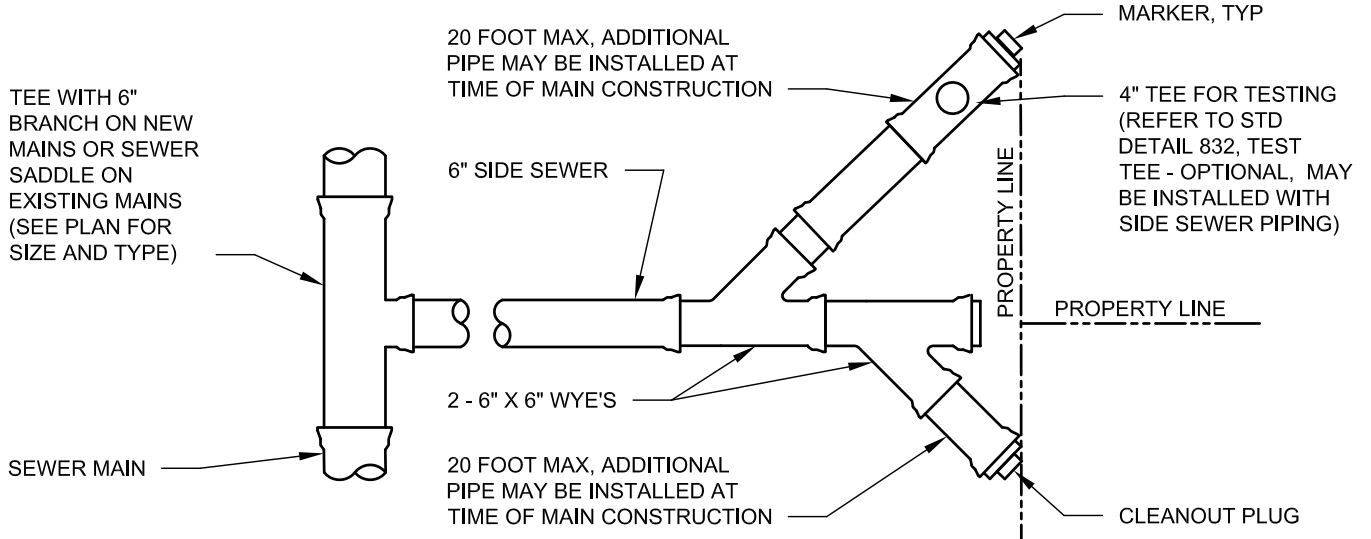


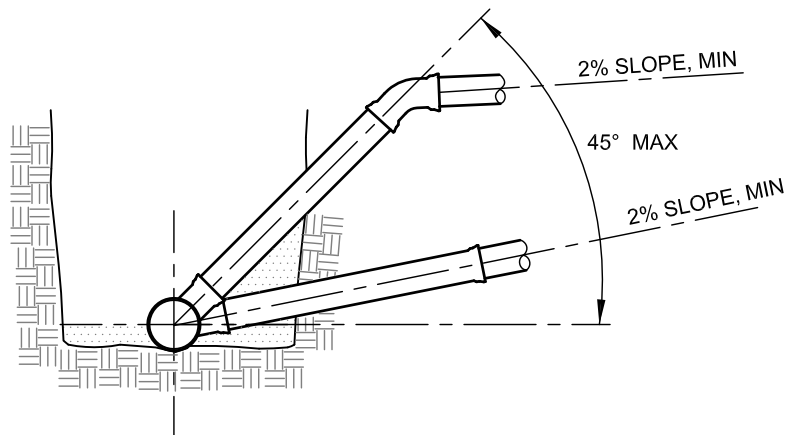
TYPICAL SINGLE SERVICE

NTS



TYPICAL DOUBLE SERVICE

NTS



CONNECTION AT SEWER MAIN

NTS

CITY OF REDMOND, WASHINGTON			STANDARD DETAILS	
APPROVED BY: RON GRANT CITY ENGINEER			SIDE SEWER	
REVISION DATE: MARCH 01, 2010			FILE NAME: SD830.DWG	DETAIL NUMBER: 830