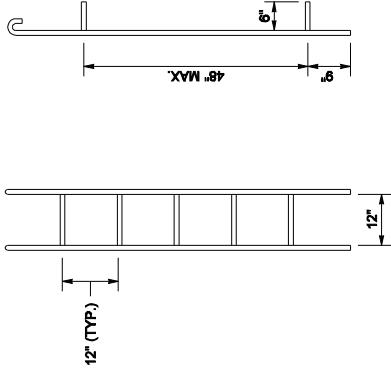
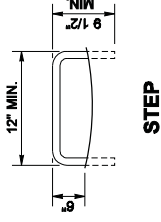


NOTE

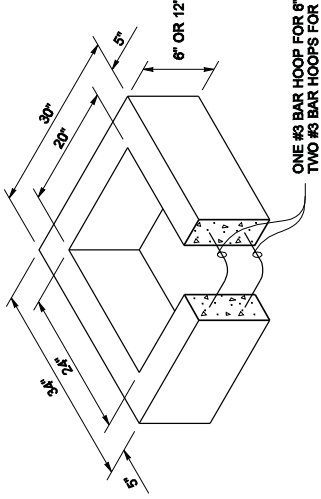
Ladder rungs for manholes and catch basins shall meet the requirements of AASHTO M 199.



PREFABRICATED LADDER

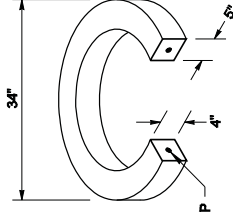


STEP

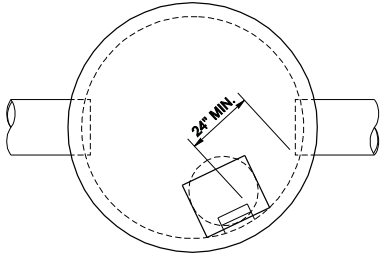


RECTANGULAR ADJUSTMENT SECTION

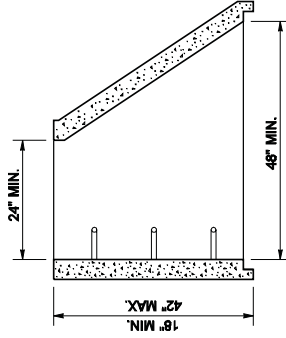
As an acceptable alternative to rebar, wire mesh having a minimum area of 0.12 square inches per foot may be used for adjustment sections.



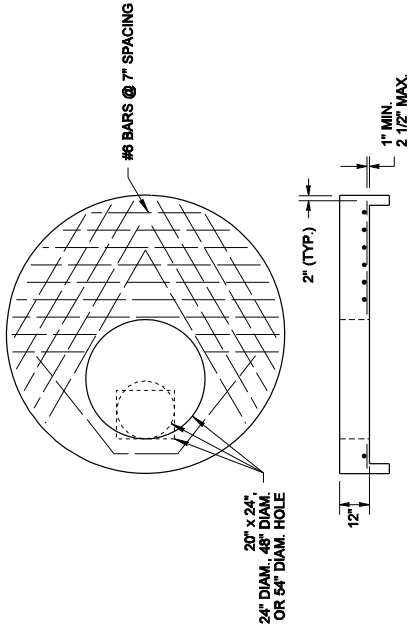
CIRCULAR ADJUSTMENT SECTION



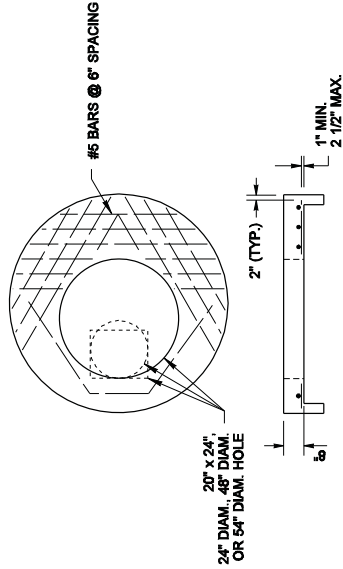
TYPICAL ORIENTATION FOR ACCESS AND STEPS



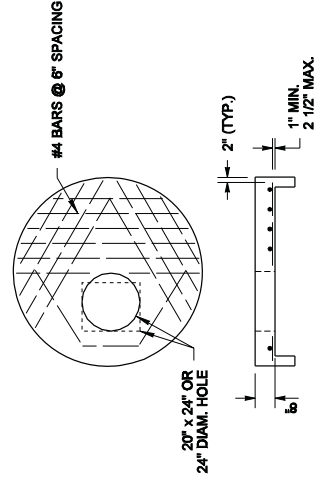
ECCENTRIC CONE SECTION



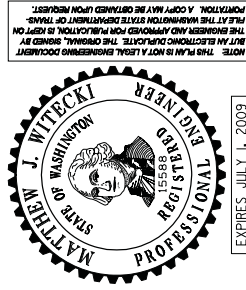
84" or 96" FLAT SLAB TOP



72" FLAT SLAB TOP



48", 54", or 60" FLAT SLAB TOP



EXPIRES JULY 1, 2009

MISCELLANEOUS DETAILS FOR DRAINAGE STRUCTURES STANDARD PLAN B-30.90-01

SHEET 1 OF 1 SHEET

APPROVED FOR PUBLICATION
Pasco Bakofich III 09-20-07
 STATE DESIGN ENGINEER DATE
 Washington State Department of Transportation